



MAX4952B Evaluation Kit

General Description

The MAX4952B evaluation kit (EV kit) provides a proven design to evaluate the MAX4952B dual-channel redriver. The EV kit contains four sections: application circuit, characterization circuit, and two sets of calibration traces.

The application circuit is designed to demonstrate the MAX4952B IC's use in redriving SATA and SAS signals. This section of the EV kit operates from an external +5V supply that is regulated by an on-board LDO to +3.3V, which powers the MAX4952B (U1) device. All traces in the application circuit are 100Ω differential controlled-impedance traces.

The characterization circuit is provided for eye diagram evaluation using SMA connectors and 50Ω controlled-impedance traces. This section is powered by an external +3.3V power supply.

Features

- ◆ Application Circuit with SATA Input/Output
- ◆ Characterization Circuit with SMA Inputs/Outputs
- ◆ Calibration Traces (50Ω Load Trace and Through Trace)
- ◆ Proven PCB Layout
- ◆ Fully Assembled and Tested

Ordering Information

PART	TYPE
MAX4952BEVKIT+	EV Kit

+Denotes lead(Pb)-free and RoHS compliant.

Component List

DESIGNATION	QTY	DESCRIPTION
C1–C8, C14–C17, C22–C25	16	0.01μF ±10%, 25V X7R ceramic capacitors (0402) Murata GRM155R71E103KA TDK C1005X7R1E103K
C9, C18, C26, C27	4	1μF ±10%, 16V X7R ceramic capacitors (0603) Murata GRM188R71C105K TDK C1608X7R1C105K
C10–C13, C19, C20, C21	7	0.1μF ±10%, 16V X7R ceramic capacitors (0402) Murata GRM155R71C104K TDK C1005X7R1C104K
C28	1	4.7μF ±10%, 10V X7R ceramic capacitor (0805) Murata GRM21BR71A475K
D1	1	Green LED (0603)
H1	1	Disk-drive power connector
J1, J2	2	7-position SATA vertical connectors

DESIGNATION	QTY	DESCRIPTION
JU1, JU2, JU3, JU5, JU7, JU8, JU9	7	3-pin headers, 0.1in centers
JU4	1	2-pin header, 0.1in centers
JU6	0	Not installed, 3-pin header
P1–P10	10	Edge-mount receptacle SMA connectors
R1	1	200Ω ±5% resistor (0603)
R2, R3	2	49.9Ω ±1% resistors (0603)
R4, R6	0	Not installed, resistors (0603)
R5	1	0Ω ±5% resistor (0603)
U1, U2	2	SATA/SAS bidirectional redrivers (20 TQFN-EP*) Maxim MAX4952BCTP+
U3	1	3.3V regulator (6 SOT23) Maxim MAX6329TPUT-T+ (Top Mark: AAIP)
—	8	Shunts
—	1	PCB: MAX4952B EVALUATION KIT+

*EP = Exposed pad.

Evaluates: MAX4952B

MAX4952B Evaluation Kit

Component Suppliers

SUPPLIER	PHONE	WEBSITE
Murata Electronics North America, Inc.	770-436-1300	www.murata-northamerica.com
TDK Corp.	847-803-6100	www.component.tdk.com

Note: Indicate that you are using the MAX4952B when contacting these component suppliers.

Quick Start (Application Circuit)

Recommended Equipment

- MAX4952B EV kit
- +5V power supply
- Two SATA cables
- SATA or SAS device (e.g., formatted hard drive)
- SATA or SAS host (e.g., PC)

Procedure

The MAX4952B EV kit is fully assembled and tested. Follow the steps below to verify board operation:

- 1) Verify that all jumpers are in their default position, as shown in Table 1.
- 2) Connect the first SATA cable from the controller to the host (J1) connector on the EV kit.
- 3) Connect the second SATA cable from the device (J2) connector to the device.
- 4) Verify communication between the host controller and device.

Table 1. Default Shunt Positions

JUMPER	SHUNT POSITION
JU1, JU5	1-2
JU2, JU3, JU7	2-3
JU4	Installed
JU8, JU9	2-3

Detailed Description of Hardware

The MAX4952B evaluation kit (EV kit) evaluates the MAX4952B dual-channel redriver. The MAX4952B is designed to redrive SATA or SAS signals. The EV kit is divided into four sections: application circuit, characterization circuit, and two sets of calibration traces.

The application circuit utilizes 100Ω differential controlled-impedance traces and provides two SATA connectors (J1 and J2), allowing for evaluation of the MAX4952B in a SATA or SAS environment. The characterization circuit utilizes 50Ω controlled-impedance traces and SMA input/output connectors, allowing for eye diagrams and input/output return-loss measurements.

The lower half of the MAX4952B EV kit provides two sets of calibration traces, all of which are matched to the trace lengths in the characterization circuit. These traces provide a reference for determining the performance of only the MAX4952B device when evaluated in the characterization circuit.

The MAX4952B device redrives Serially Attached SCSI (SAS) signals, but can also be used in SATA-only mode by setting M = BA = BB = GND.

Application Circuit (U1)

The application circuit provides the means for evaluating the MAX4952B in a SATA or SAS application. This section of the EV kit provides two SATA connectors (J1 and J2), one for connection to a host (e.g., SAS controller HBA) and the other for connection to a device (e.g., SAS hard drive).

MAX4952B Evaluation Kit

Table 2. Jumper JU4 Function

SHUNT POSITION	VCC PIN (U1)	DESCRIPTION
Installed*	Connected to on-board LDO output	U1 powered by LDO output, +3.3V
Not installed	Connected to external supply	Powered by +3.3V from an external supply

*Default position.

Table 3. Jumper JU8 Function

SHUNT POSITION	M PIN (U1)	DESCRIPTION
1-2	Connected to +3.3V	OOB threshold high (120mV to 220mV)
2-3*	Connected to GND	OOB threshold low (50mV to 150mV)
Not installed	Not connected	

*Default position.

Table 4. Jumper JU1 Function

SHUNT POSITION	EN PIN (U1)	DESCRIPTION
1-2*	Connected to +3.3V	MAX4952B enabled for normal operation
2-3	Connected to GND	MAX4952B in low-power mode
Not installed	Not connected	

*Default position.

Table 5. Jumper JU2 Function

SHUNT POSITION	BB PIN (U1)	DESCRIPTION
1-2	Connected to +3.3V	Host output boost enabled
2-3*	Connected to GND	Host output boost disabled (standard SATA output levels)
Not installed	Not connected	

*Default position.

Input Supply (VIN)
The MAX4952B must be powered by +3.3V. There are two ways to get this voltage, through the on-board LDO (U3) or by connecting directly to a +3.3V power supply. When using the on-board voltage regulator, the LDO can be powered by the 4-pin Molex connector (H1), or by a +5V external supply connected to the VIN and GND pads. When using the on-board LDO to supply power, there is a power LED (D1) to indicate the presence of +3.3V at VCC.

The user can also connect directly to a +3.3V supply, which is available on a SATA power connector. The shunt should be removed from jumper JU4 and the +3.3V supply or SATA power can be connected to the +3.3V pad (see Table 2).

Mode Control (JU8)

The MAX4952B device can be used to redrive SATA or SAS signals. The mode (M) pin configures the device to operate with one of these signal types. For SATA or SAS signals in a SAS application, configure the device with a low OOB threshold. See Table 3 for jumper JU8 function.

Device Enable (JU1)

The MAX4952B (U1) is enabled/disabled by configuring jumper JU1 (see Table 4). When disabled, the MAX4952B is placed in a low-power mode.

Output Boost Control (JU2, JU3)

The MAX4952B host and device can be evaluated with standard SATA output levels or with boosted SAS/SATA output levels. Configure jumper JU2 to enable/disable the host output boost and jumper JU3 to enable/disable the device output boost (see Tables 5 and 6).

Table 6. Jumper JU3 Function

SHUNT POSITION	BA PIN (U1)	DESCRIPTION
1-2	Connected to +3.3V	Device output boost enabled
2-3*	Connected to GND	Device output boost disabled (standard SATA output levels)
Not installed	Not connected	

*Default position.

MAX4952B Evaluation Kit

Table 7. Jumper JU9 Function

SHUNT POSITION	M PIN (U2)	DESCRIPTION
1-2	Connected to +3.3V	OOB threshold high (120mV to 220mV)
2-3*	Connected to GND	OOB threshold low (50mV to 150mV)
Not installed	Not connected	

*Default position.

Table 8. Jumper JU5 Function

SHUNT POSITION	EN PIN (U2)	DESCRIPTION
1-2*	Connected to +3.3V	MAX4952B enabled for normal operation
2-3	Connected to GND	MAX4952B in low-power mode
Not installed	Not connected	

*Default position.

Table 9. Jumper JU7 Function

SHUNT POSITION	BA PIN (U2)	DESCRIPTION
1-2	Connected to +3.3V	Channel A output boost enabled
2-3*	Connected to GND	Channel A output boost disabled (standard SATA output levels)
Not installed	Not connected	

*Default position.

Characterization Circuit (U2)

The characterization circuit is provided as a separate test circuit for eye diagram evaluation of the MAX4952B IC. This circuit provides differential SMA inputs and outputs with 50Ω controlled-impedance traces. Channel B is not utilized in this section of the EV kit, but provides the same performance as channel A.

Input Supply (VCC)

The characterization circuit is powered by an external +3.3V power supply connected between the VCC and GND pads.

Mode Control (JU9)

The MAX4952B device (U2) can be used to redrive SATA or SAS signals. The mode (M) pin configures the device to operate with one of these signal types. For SATA or SAS signals in a SAS application, configure the device with a high OOB threshold. For SATA applications, configure the device with a low OOB threshold. See Table 7 for jumper JU9 functions.

Device Enable (JU5)

The MAX4952B (U2) is enabled/disabled by configuring jumper JU5 (see Table 8). When disabled, the MAX4952B is placed in low-power mode.

Output Boost Control (JU7)

The MAX4952B's channel A can be evaluated with standard SATA output levels or with boosted output levels. Configure jumper JU7 to enable/disable channel A output boost (see Table 9).

Calibration Traces

The lower half of the MAX4952B EV kit provides two sets of calibration traces that can be used for further analysis. The lengths of the calibration traces are matched to the traces going from the SMA connector to MAX4952B (U2) of the characterization circuit. The first calibration trace includes a 50Ω load termination and the second calibration trace is a through trace.

MAX4952B Evaluation Kit

Evaluates: **MAX4952B**

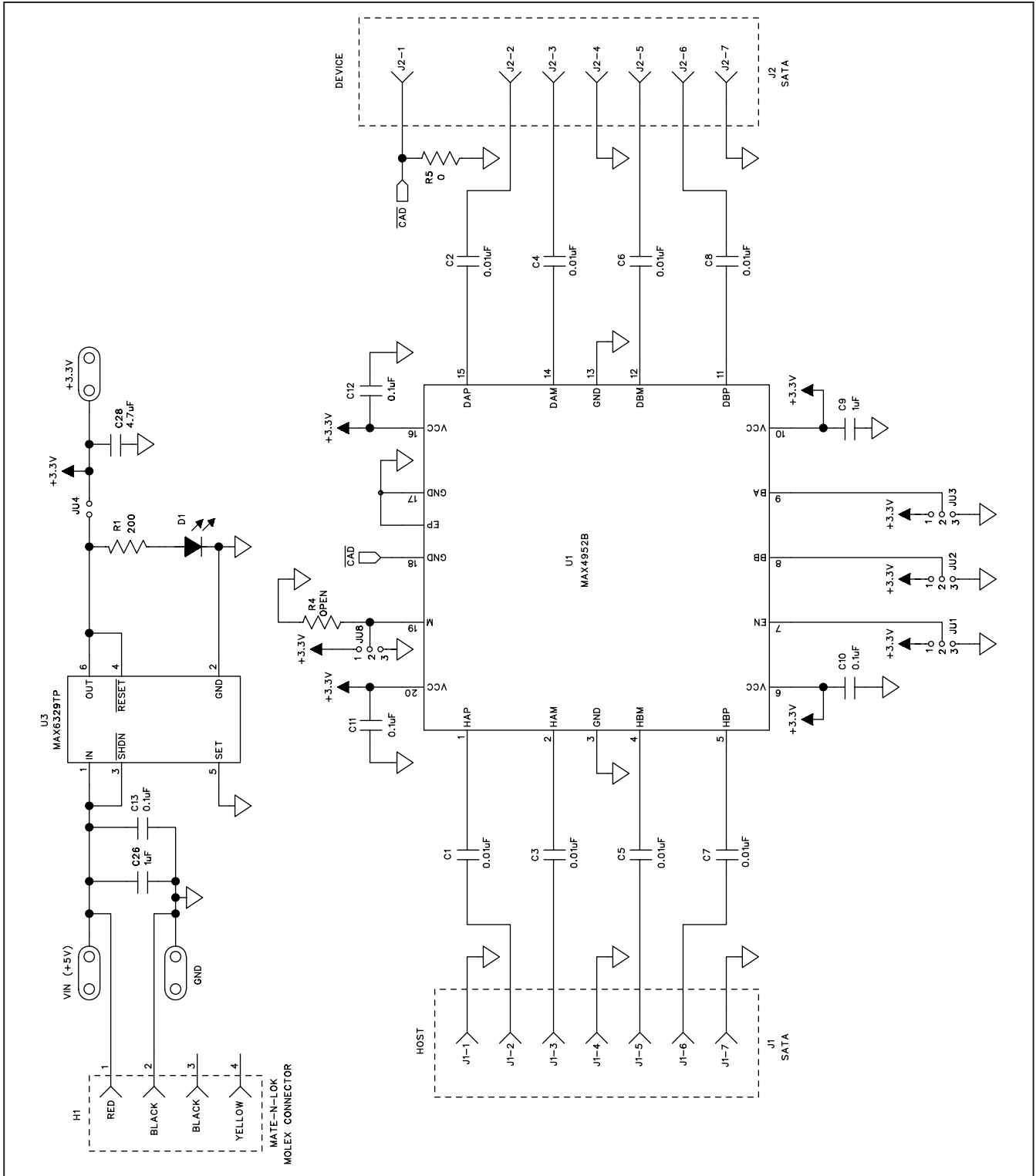


Figure 1a. MAX4952B EV Kit Schematic—Application Circuit (Sheet 1 of 3)

MAX4952B Evaluation Kit

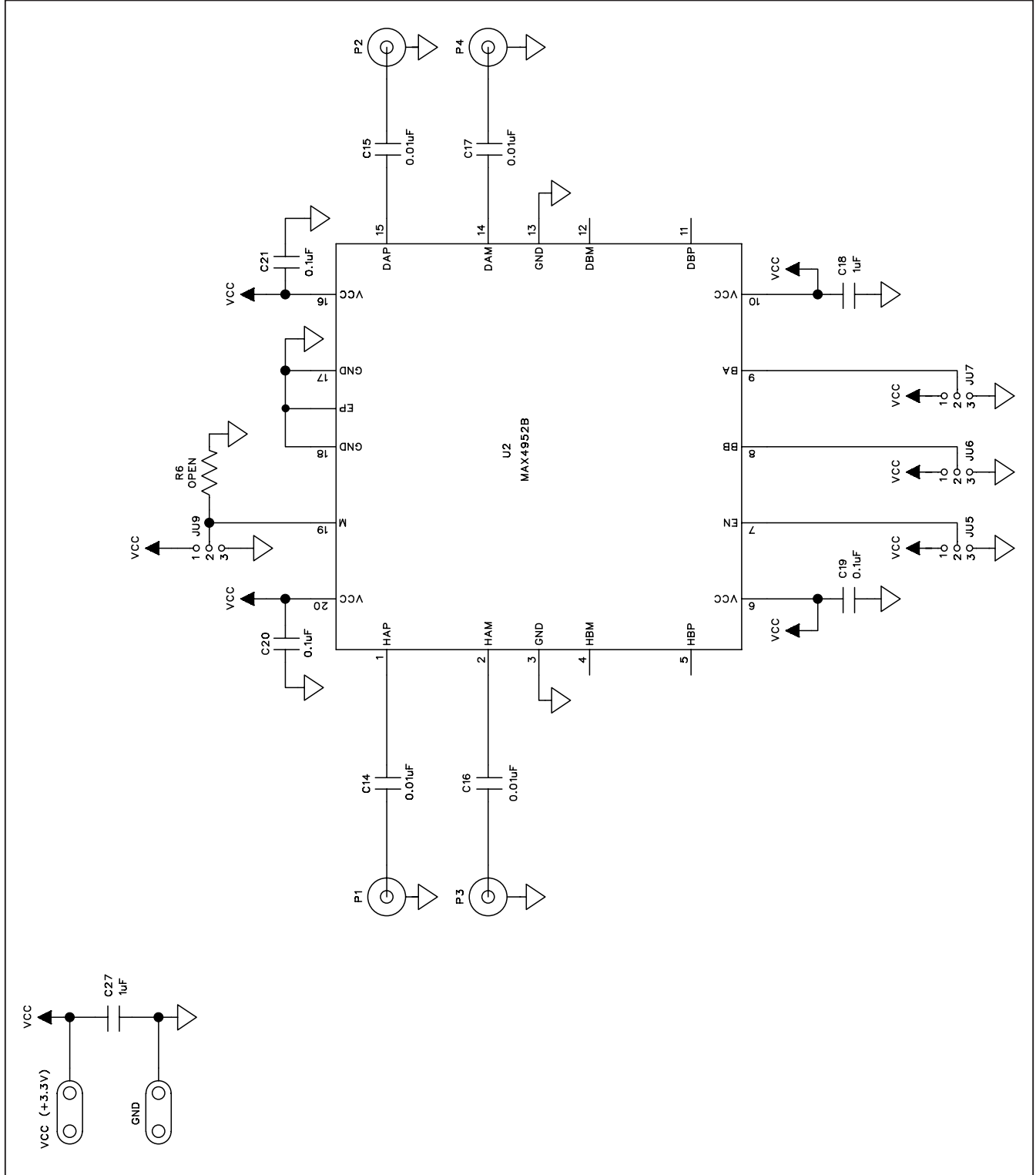


Figure 1b. MAX4952B EV Kit Schematic—Characterization Circuit (Sheet 2 of 3)

MAX4952B Evaluation Kit

Evaluates: MAX4952B

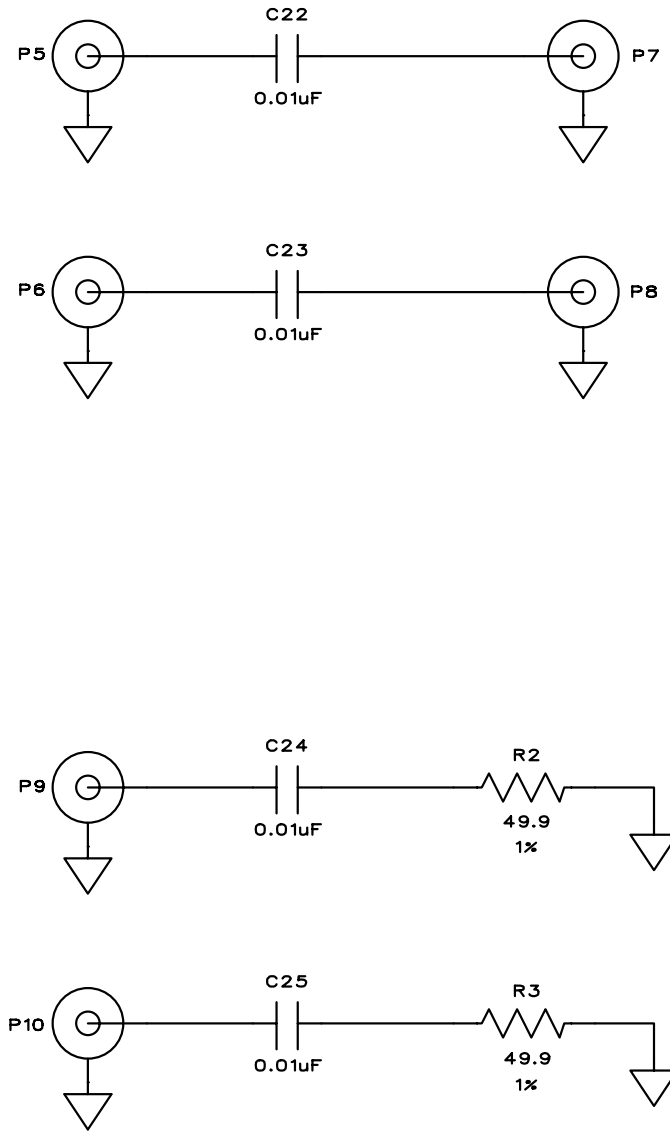


Figure 1c. MAX4952B EV Kit Schematic—Calibration Traces (Sheet 3 of 3)

MAX4952B Evaluation Kit

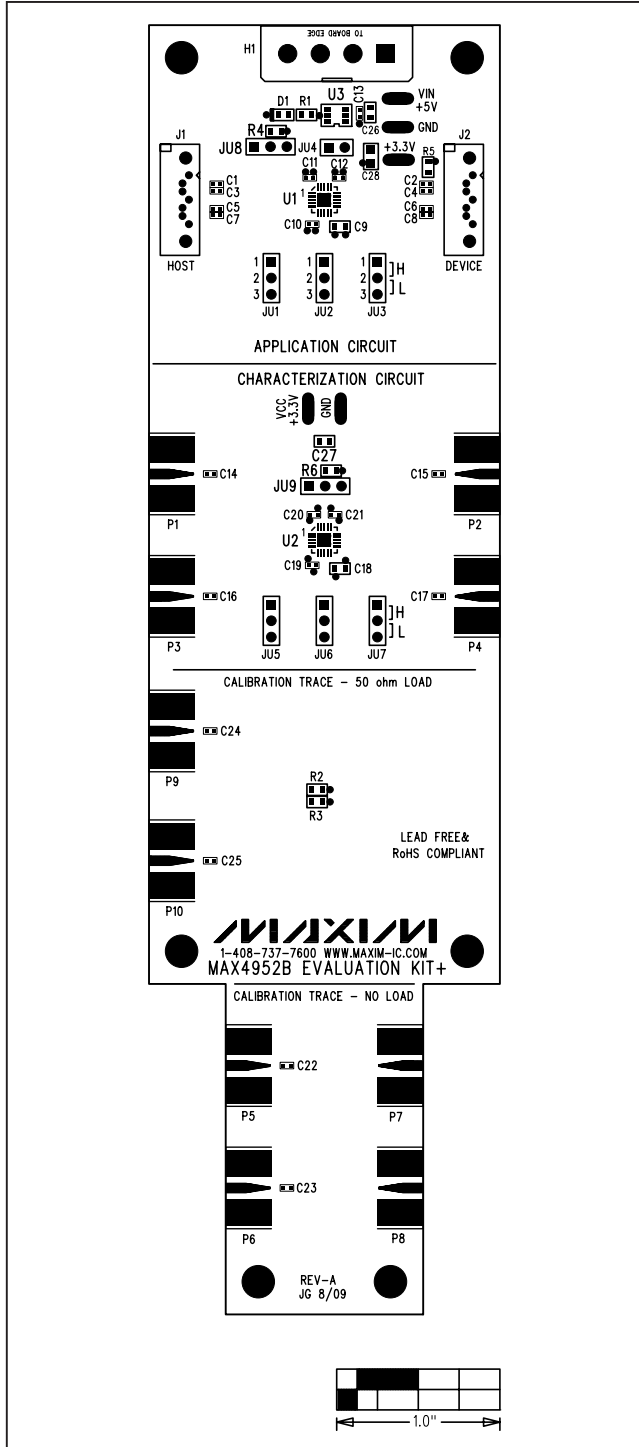


Figure 2. MAX4952B EV Kit Component Placement Guide—Component Side

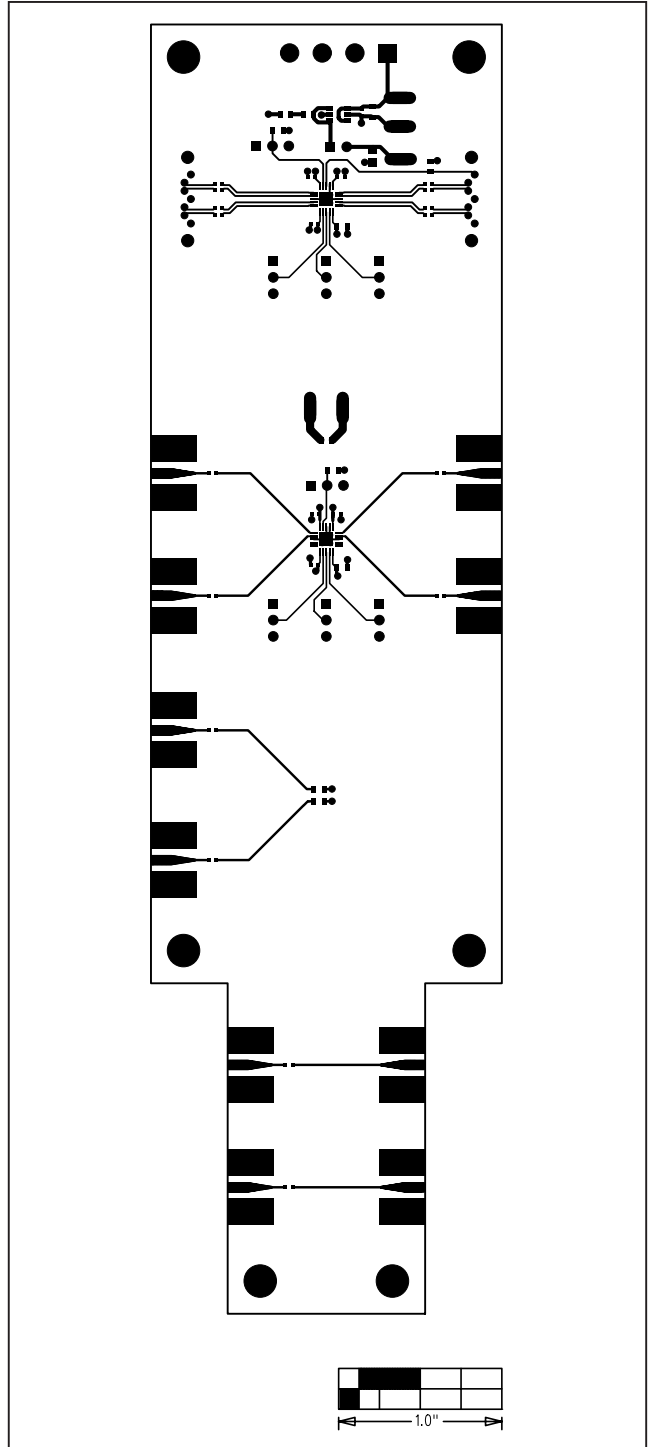


Figure 3. MAX4952B EV Kit Component PCB Layout—Component Side

MAX4952B Evaluation Kit

Evaluates: MAX4952B

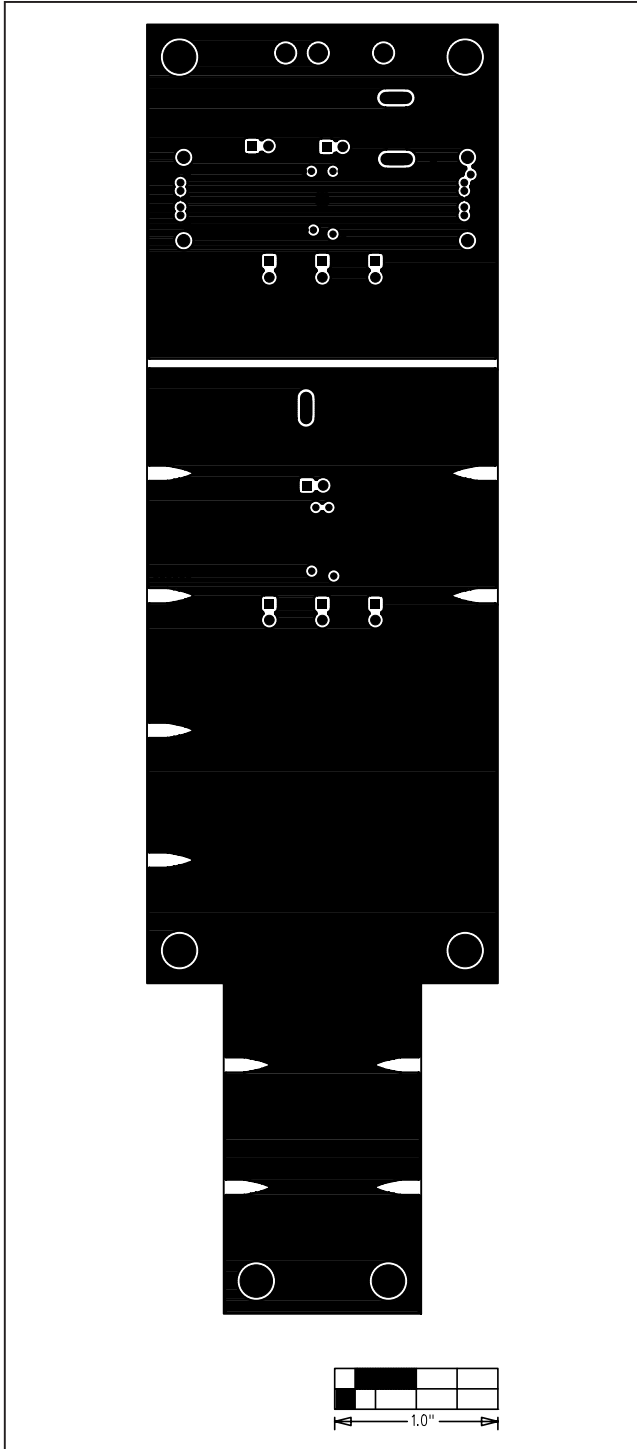


Figure 4. MAX4952B EV Kit PCB Layout—Inner Layer 2

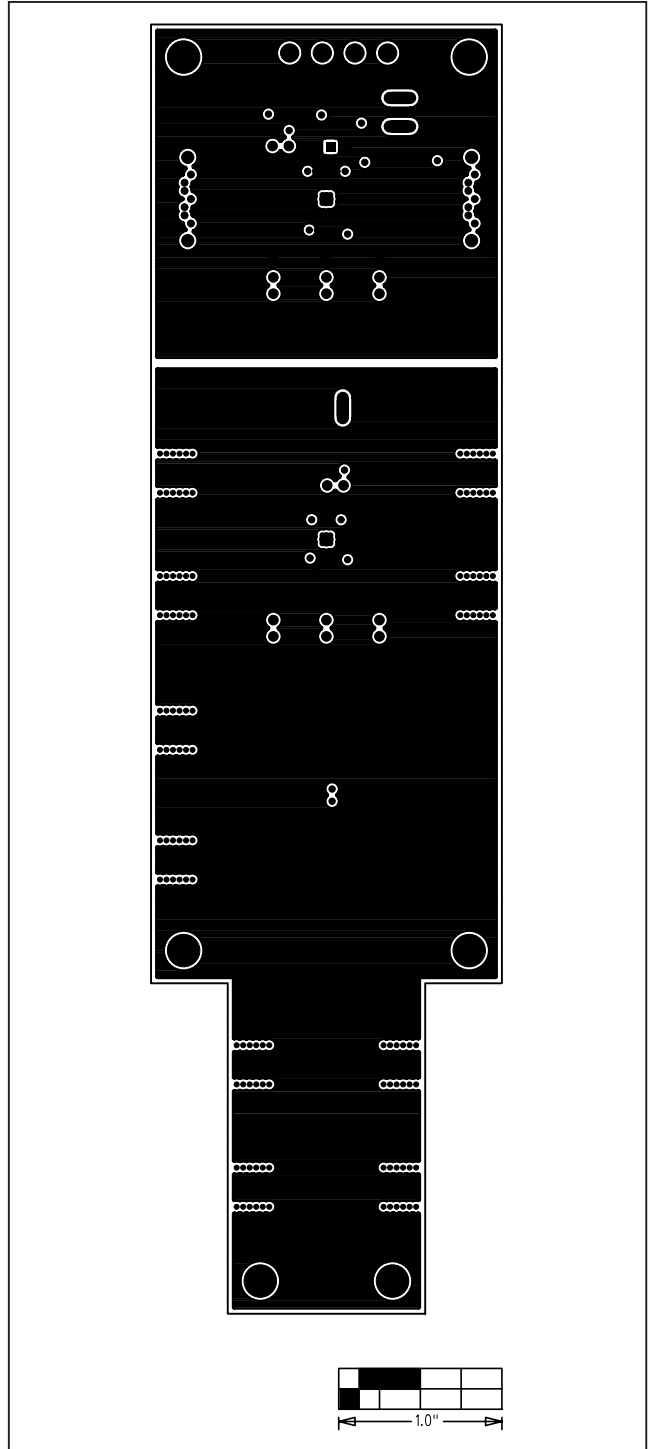


Figure 5. MAX4952B EV Kit PCB Layout—Inner Layer 3

MAX4952B Evaluation Kit

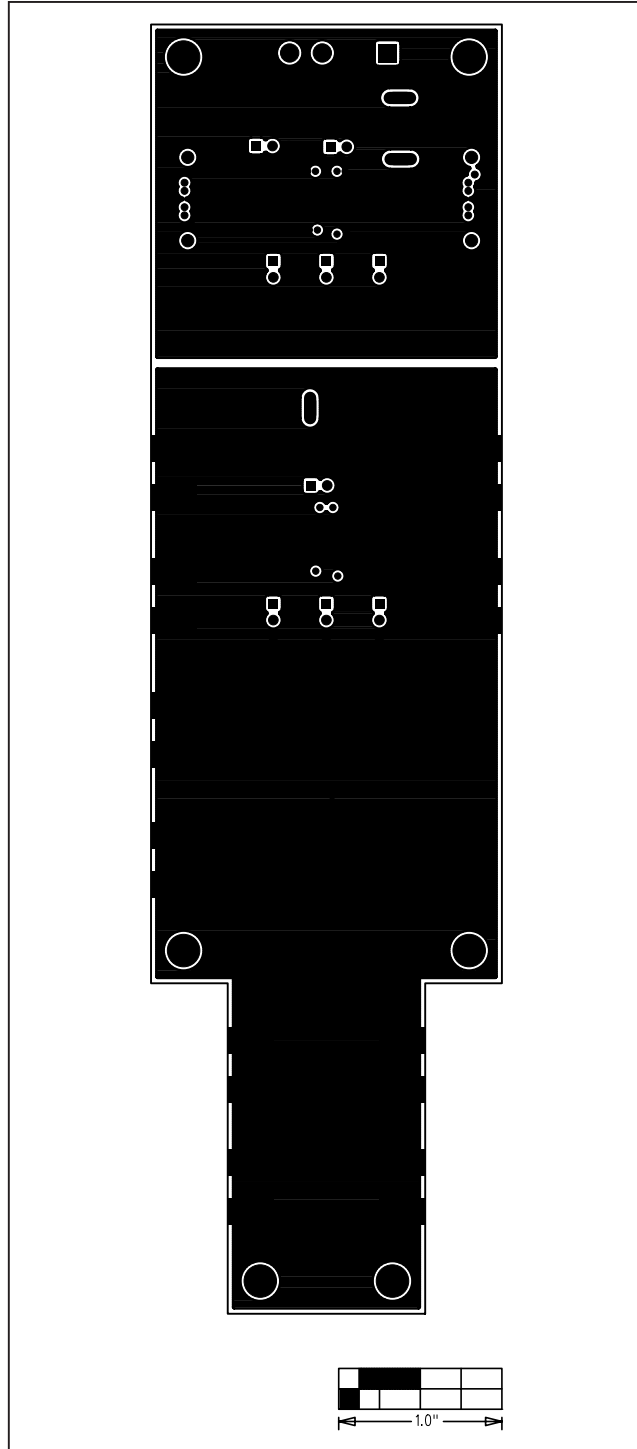


Figure 6. MAX4952B EV Kit PCB Layout—Solder Side

Maxim cannot assume responsibility for use of any circuitry other than circuitry entirely embodied in a Maxim product. No circuit patent licenses are implied. Maxim reserves the right to change the circuitry and specifications without notice at any time.

10 **Maxim Integrated Products, 120 San Gabriel Drive, Sunnyvale, CA 94086 408-737-7600**